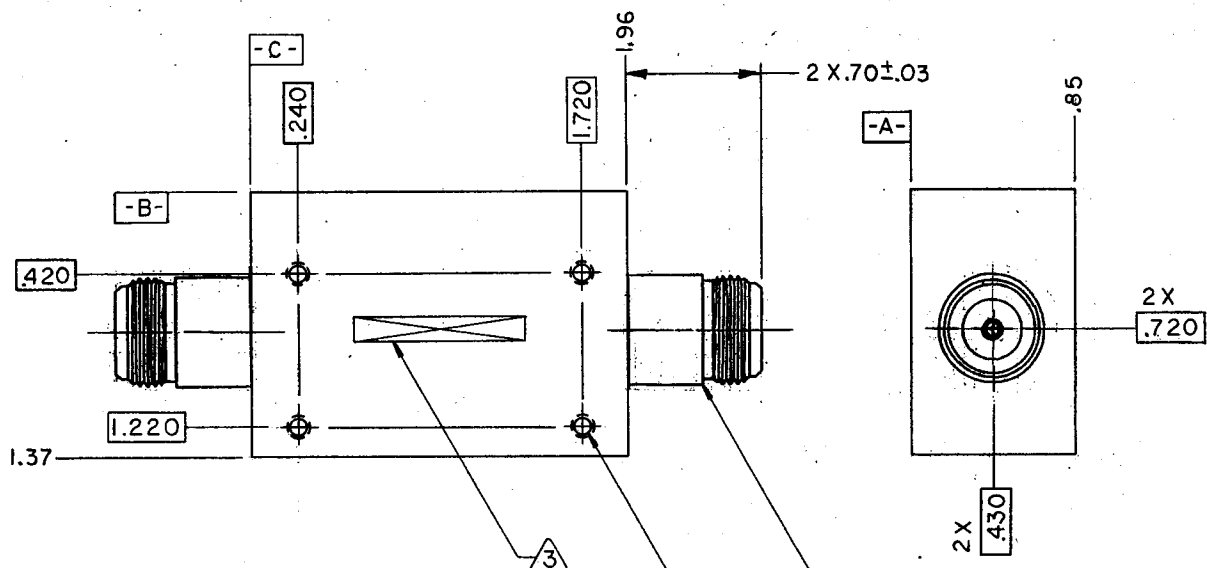


ZONE	LTR	ECN NO.	DESCRIPTION	DATE	APPROVED
A4-B1	A	83521-4-001	SEE ECN	92-10-8	HB
B4	B	83521-4-002	SEE ECN	93-4-20	HB
B4	C	83521-4-003	SEE ECN	93-5-18	HB



2X CONNECTOR  
TYPE N FEMALE  
IAW MIL-C-39012

$\text{⊕} \text{⌀} .030 \text{Ⓜ} \text{A B C}$

4X .112-40 HELICOIL THD

$\text{⊕} \text{⌀} .010 \text{Ⓜ} \text{A B C}$

- NOTES:
- APPLICABLE DOCUMENTS:  
DOD-STD-100-ENGINEERING DRAWING PRACTICES
  - FINISH: MICROWAVE SILVERPLATE  
IAW-QQ-S-365,(RSM-QAP-3)
  - MARKING: IAW MIL-STD-130 (IN APPROX POSITION SHOWN)  
LOT AND SERIAL NUMBER  
MFG CODE IDENT: FSCM 61453  
PART NUMBER: 83521-4  
MARKING APPROX .125 HIGH CHARACTERS
  - MATERIAL: AL 6061-T651 IAW QQ-A-250/II TEMPER T6
  - WEIGHT: .3 LBS (APPROX)
  - ELECTRICAL PARAMETERS (-28 TO +85 C)  
MIN PASSBAND: 969-1206 MHz  
MAX PASSBAND LOSS: 0.4 dB  
MAX PASSBAND GROUP DELAY: 5 ns  
MAX PASSBAND VSWR: 1.3:1  
MIN -55 dB STOPBAND: DC-100, 1920-9400 MHz  
POWER: 1.5 KW PEAK, 300 W AVG (600 W SHORT TERM)

"ONLY THE ITEM DESCRIBED ON THIS DRAWING WHEN PROCURED FROM THE VENDOR(S) LISTED HEREBON IS APPROVED BY (NAME AND ADDRESS OF COGNIZANT DESIGN ACTIVITY) FOR USE IN THE APPLICATION(S) SPECIFIED HEREBON. A SUBSTITUTE ITEM SHALL NOT BE USED WITHOUT PRIOR APPROVAL BY (NAME OF COGNIZANT DESIGN ACTIVITY) OR BY (NAME OF GOVERNMENT PROCURING ACTIVITY)."

IDENTIFICATION OF THE APPROVED SOURCE(S) OF SUPPLY HEREBON IS NOT TO BE CONSTRUED AS A GUARANTEE OF PRESENT OR CONTINUED AVAILABILITY AS A SOURCE OF SUPPLY FOR THE ITEM DESCRIBED ON THE DRAWING."

APPROVED SOURCES OF SUPPLY  
RS MICROWAVE 22 PARK PL. BUTLER, NJ  
CAGE CODE 61453  
PART NO. 83521-4

SOURCE CONTROL DRAWING

UNLESS OTHERWISE SPECIFIED: DIMENSIONS ARE IN INCHES AND DECIMAL FRACTIONS ARE: FRACTIONS: 1/64 DECIMALS: .015, .03, .005 ANGLES: 2°-15' SURFACE FINISH: CONCENTRICITY: .004-TIR		SIGNED	DATE	<b>RS</b> MICROWAVE COMPANY, INC. 22 PARK PLACE, P.O. BOX 223 BUTLER, NEW JERSEY 07003 907-480-1287 FROM 0148	
DRAWN	HIW	92-4-10			
CHECKED	E/L	92-7-10			
E.E. APPD	E/L	92-9-10			
M.E. APPD			TITLE	<b>FILTER, BANDPASS</b>	
Q.A. APPD	E/L	92-9-10	SIZE	<b>C</b>	
83521A	83521	CONTRACT NO.	CODE IDENT. NO.	DWG. NO.	REV.
NEXT ASSY	USED ON	F19628-86-C-0035	61453	83521-4	C
		SCALE	2/1	SHEET	OF

DWG NO. 83521-4