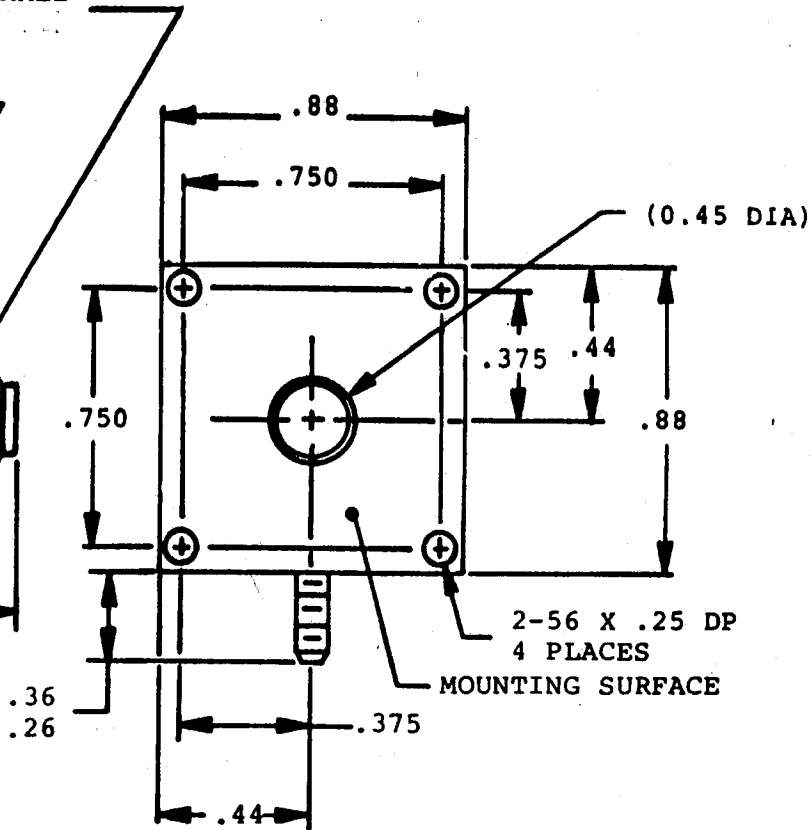
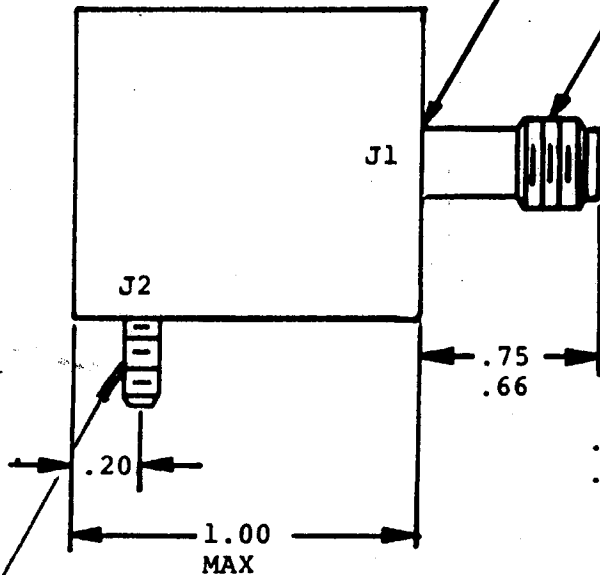


TNC-FEMALE

NO PROTRUSIONS
OUTSIDE OF A 0.45 DIA



SMA-FEMALE