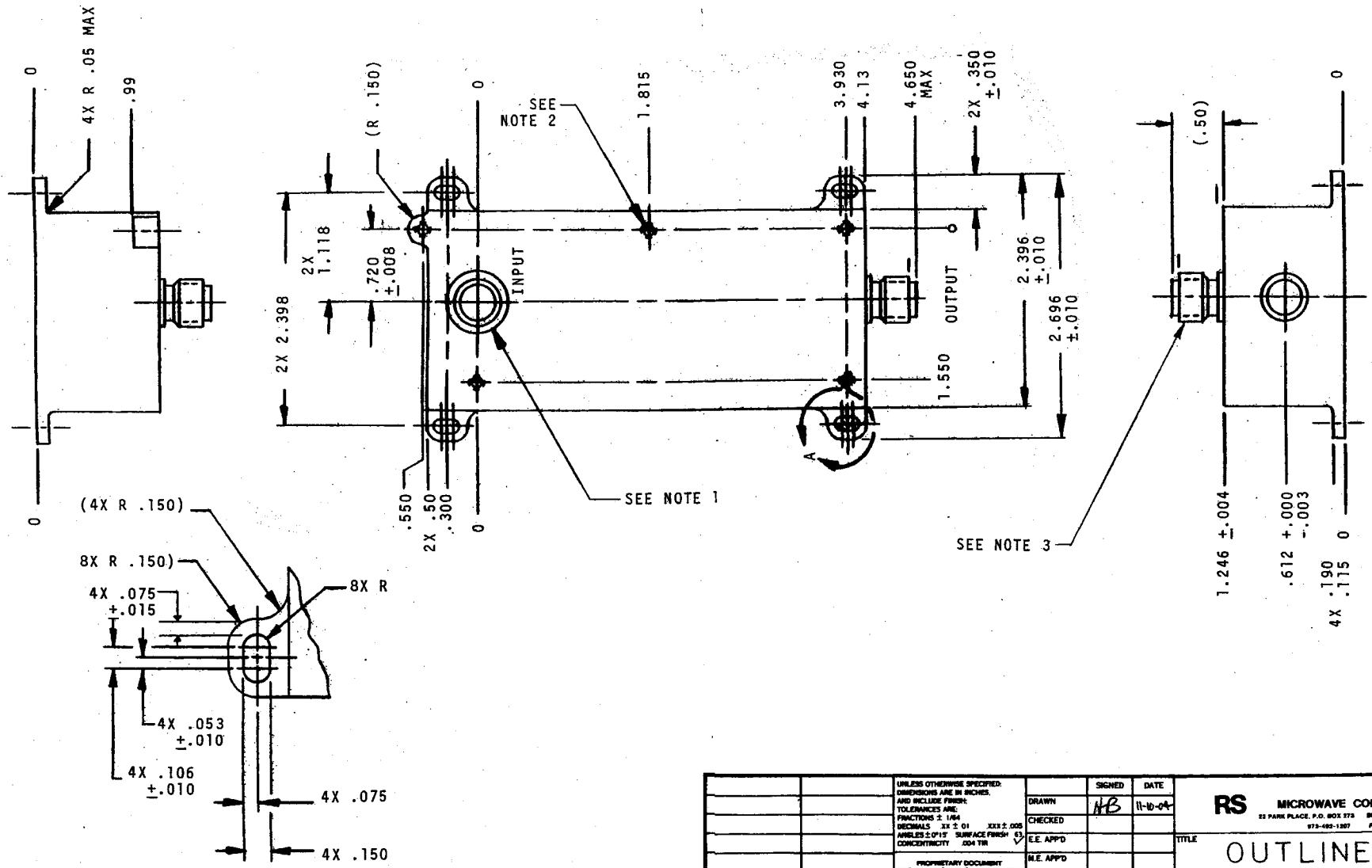


- NOTES:
1. $\varnothing .610 \pm .010$ INCHES MAXIMUM ALLOWABLE POTTING FILLET PERIMETER.
 2. 5X .138-32UNC-2B, HELICAL INSERT, X .27 INCHES DEEP.
 3. 2X TMC CONN.; JACK KING'S PART NO. KA-79-02 OR EQUAL.
 4. FILTER TO BE SUPPLIED WITH PROTECTIVE COVERS OVER EACH CONNECTOR.
 5. FINISH: MICROWAVE SILVERPLATE

REVISIONS					
ZONE	LTR	ECN NO.	DESCRIPTION	DATE	APPROVED
	A	61361-001	REVISED DWG.	3-13-87	E.J.C. HB
	B	61361-002	REVISED DWG.	3-3-88	E.J.C. HB
	C	61361-003	ADDED FINISH	7-17-89	E.J.C. HB
	D	61361-004	RE DRAWN	11-10-04	HB

INTERPRET ALL DIMENSIONS AND TOLERANCES IN ACCORDANCE WITH ANSI Y14.5M-1982

UNLESS OTHERWISE SPECIFIED DIM ARE IN INCHES: TOL ON: ANGLES: $\pm 1.0^\circ$
 DECIMALS: .XX = $\pm .02$, .XXX = $\pm .008$



UNLESS OTHERWISE SPECIFIED, DIMENSIONS ARE IN INCHES. AND INCLUDE FINISH. TOLERANCES ARE: FRACTIONS 2/1004 DECIMALS XX 2 01 XXX 2 008 ANGLES 2 015 SURFACE FINISH 13 CONCENTRICITY .004 TR		DRAWN	SIGNED	DATE
THIS DRAWING AND/OR INFORMATION OR SUBJECT MATTER CONTAINED HEREIN SHALL NOT BE USED, COPIED OR DISSEMINATED IN ANY MANNER, OR FOR ANY PURPOSE, OTHER THAN AS EXPRESSLY STATED BY RS MICROWAVE COMPANY, INC.		CHECKED	HB	11-10-04
NEXT ASSY		E.E. APPD		
USED ON		R.E. APPD		
		G.A. APPD	HB	11-10-04
		JOB NO.		
		RS MICROWAVE COMPANY, INC. 25 PARK PLACE, P.O. BOX 573 BUTLER, NEW JERSEY 07406 973-682-1287 PDCM 01483		
TITLE		OUTLINE		
SIZE	CODE IDENT. NO.	DWG. NO.	REV.	
C	61453	61361	D	
SCALE NONE		SHEET OF		