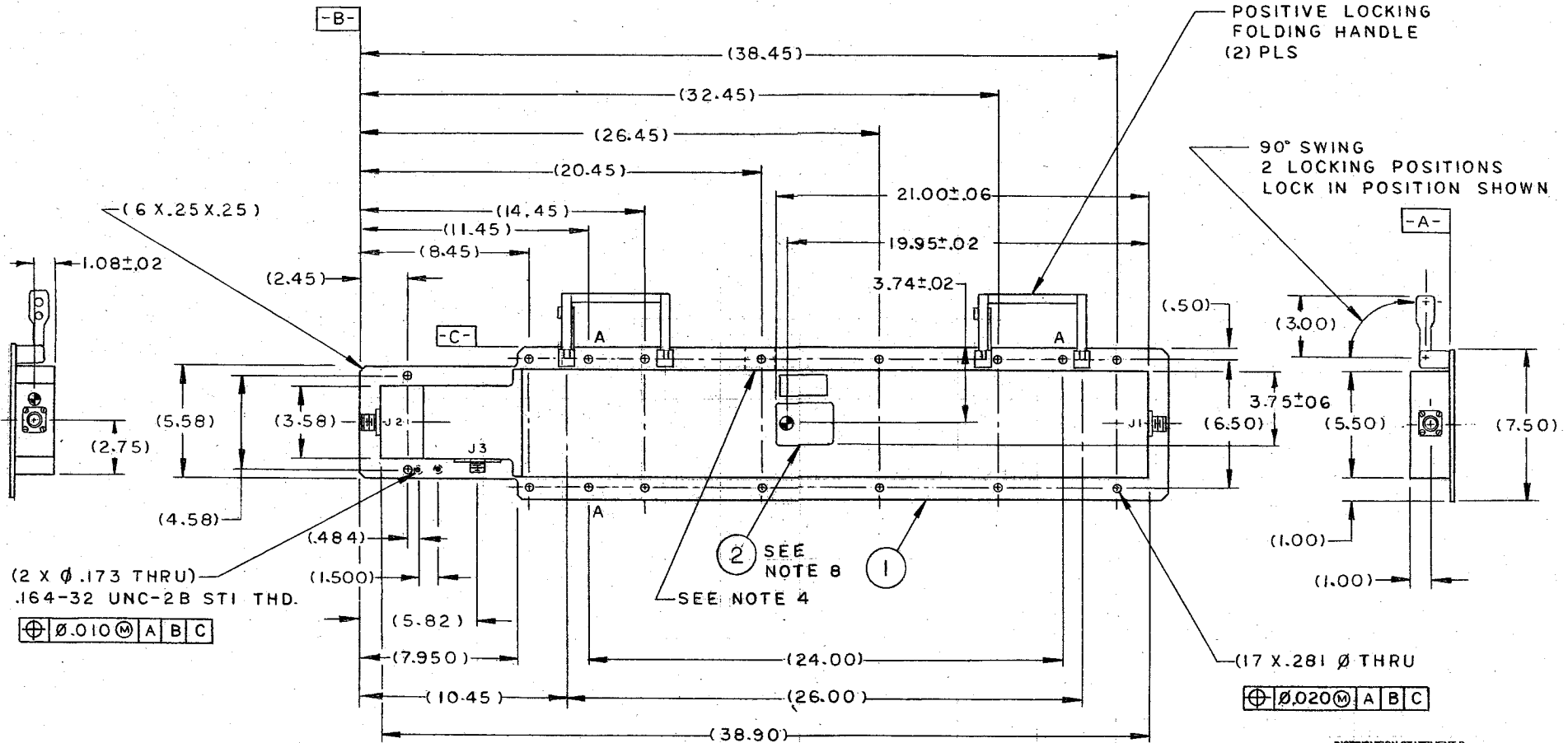


NOTES:

1. APPLICABLE DOCUMENTS: (3) ENGINEERING DRAWING PRACTICES
2. INSTALLATION OPTIONAL FOR EACH SHIP
3. 2 OF 3 HOLES MARKED "A" ARE USED IN LOCATING THE NFA PRIOR TO BOLTING IN THIS AREA PAINT SHALL BE OMITTED 5/8" ON EACH SIDE OF HOLE LEAVING THE SURFACE CHEMFILM EXPOSED
4. FINISH: EPOXY PRIMER (4), EPOXY TOP COAT (5), PER (6), COLOR 26373 PER (7), MOUNTING SURFACES TO BE FREE FROM PAINT
5. WEIGHT: 39 LBS MAX.
6. ELECTROMAGNETIC RADIATION: THE NFA SHALL COMPLY WITH REQUIREMENTS AND TEST LIMITS OF (8), CLASS A1, THE APPLICABLE (8) REQUIREMENT IS RE02.

REVISIONS					
ZONE	LTR	ECN NO.	DESCRIPTION	DATE	APPROVED
	A	61351B-001	SEE ECN	93-09-15	HB
	B	61351B-002	SEE ECN	94-02-04	HB

61351B
SHIPBOARD DUAL NOTCH, AS CURRENTLY DELIVERED
INCLUDES CIRCULATOR AND BANDPASS FILTER
54 TO 57 dB NOTCH ATTENUATION
1200 WATTS



8. MARKING IDENTIFICATION: IAW (9) USING INK (10) TYPE I BLACK, STAMP .100±.020 CHARACTERS CONTRACT NO. AND SERIAL NO.

SEE SEPARATE PARTS LIST

DISTRIBUTION STATEMENT D.
DISTRIBUTION AUTHORIZED TO DEPARTMENT OF DEFENSE AND DoD CONTRACTORS ONLY. SPECIFIC AUTHORITY: ESC(AFMG), DATE: VARIOUS. OTHER REQUESTS SHALL BE REFERRED TO ESC/DP.

REV	STATUS	REV	B	B
		SH	12	

UNLESS OTHERWISE SPECIFIED: DIMENSIONS ARE IN INCHES, AND INCLUDE FINISH TOLERANCES ARE: FRACTIONS ± 1/64 DECIMALS ± 0.004 ANGLES ± 0.1° SURFACE FINISH: CONCENTRICITY: 0.04 TIR		SIGNED	DATE	RS MICROWAVE COMPANY, INC. 22 PARK PLACE, P.O. BOX 270 SUYLER, NEW JERSEY 07465 201-492-1207 FAX 201-492-1122
PROPRIETARY DOCUMENT THIS DRAWING AND/OR INFORMATION OR SUBJECT MATTER CONTAINED HEREIN SHALL NOT BE USED, COPIED OR DISSEMINATED IN ANY MANNER OR FOR ANY PURPOSES OTHER THAN AS EXPRESSLY STATED BY MICROWAVE COMPANY INC.		DRAWN	93-7-24	
P600A020-05 P600A020-06 NEXT ASSY:		CHECKED	93-7-24	
RADIOSET AN/URC-107(V)7		E.E. APPD		
		M.E. APPD	93-7-24	TITLE FILTER, NOTCH ASSEMBLY F1628/URC-107(V)7
		QA APPD	93-7-24	
		CONTRACT NO. F19628-86-C-0035		SIZE C
				CODE IDENT. NO. 61453
				DWG. NO. 61351B
				REV. B