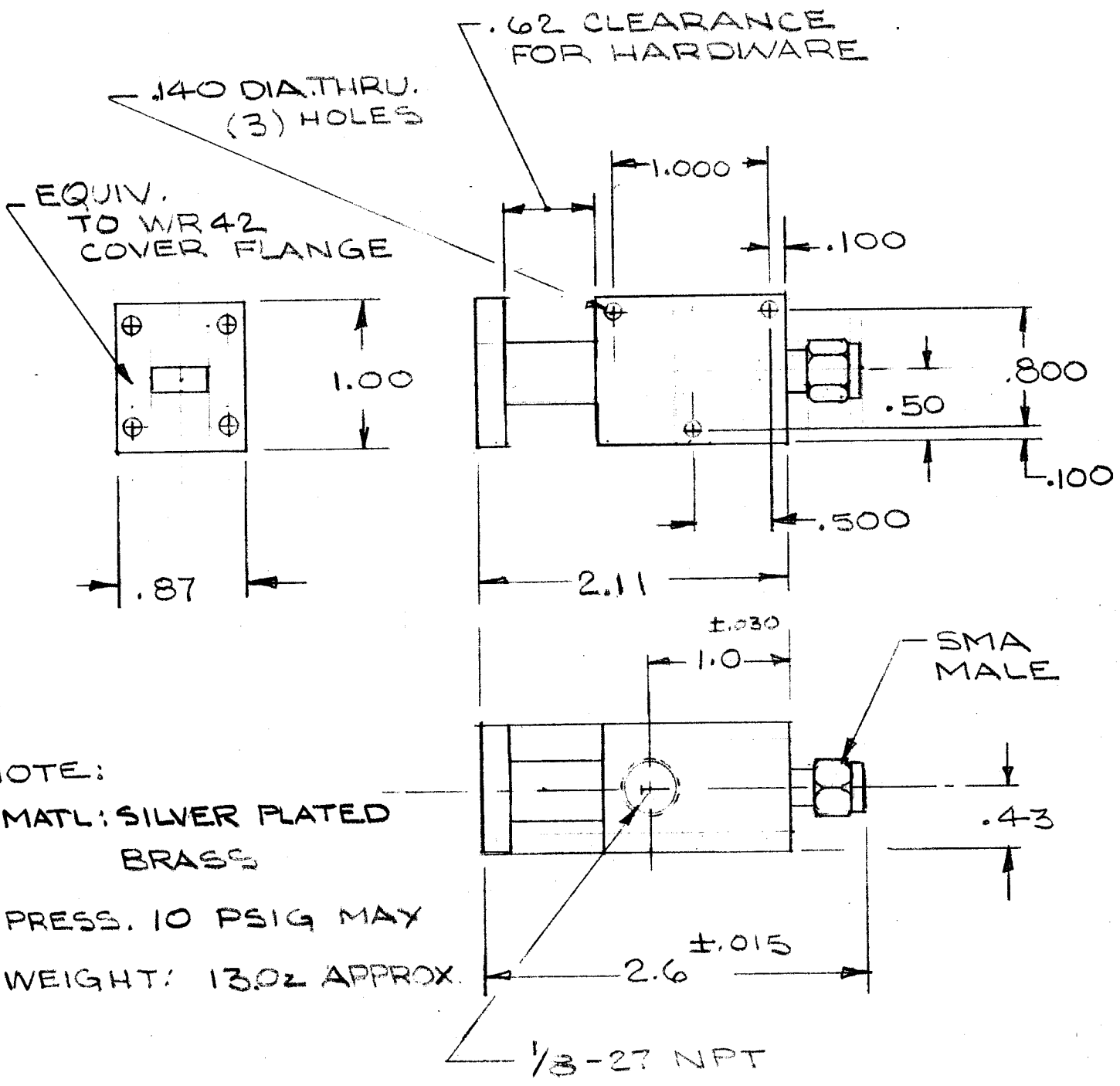


NEXT ASSY.		REV.	DATE	A	8/22/84				
USED ON		ECN NO.	4177001-001						



- NOTE:
1. MATL: SILVER PLATED BRASS
 2. PRESS. 10 PSIG MAX
 3. WEIGHT: 13.02 APPROX.

UNLESS OTHERWISE SPECIFIED: DIMENSIONS ARE IN INCHES. AND INCLUDE FINISH: TOLERANCES ARE: FRACTIONS $\pm 1/64$ DECIMALS .XX ± 0.01 .XXX ± 0.005 ANGLES $\pm 0^{\circ}15'$ SURFACE FINISH 63 CONCENTRICITY .004 TIR		SIGNED	DATE	22 PARK PLACE, P.O. BOX 273 BUTLER, NEW JERSEY 07405 201-492-1207 FSCM 61453	TITLE FILTER -OUTLINE				
	DRAWN	<i>[Signature]</i>	<i>[Signature]</i>						<i>[Signature]</i>
	CHECKED								
	E.E. APP'D								
	M.E. APP'D								
PROPRIETARY DOCUMENT THIS DRAWING AND/OR INFORMATION OR SUBJECT MATTER CONTAINED HEREIN, SHALL NOT BE USED, COPIED OR DISSEMINATED IN ANY MANNER, OR FOR ANY PURPOSE, OTHER THAN AS EXPRESSLY STATED BY RS MICROWAVE COMPANY INC.	Q.A. APP'D JOB NO.				SIZE A	CODE IDENT. NO. 61453	DWG. NO. 4177001	REV. A	
SCALE 2:1					SHEET OF				