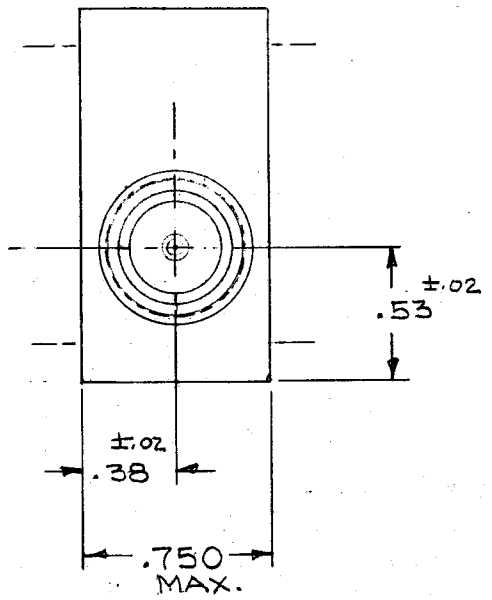
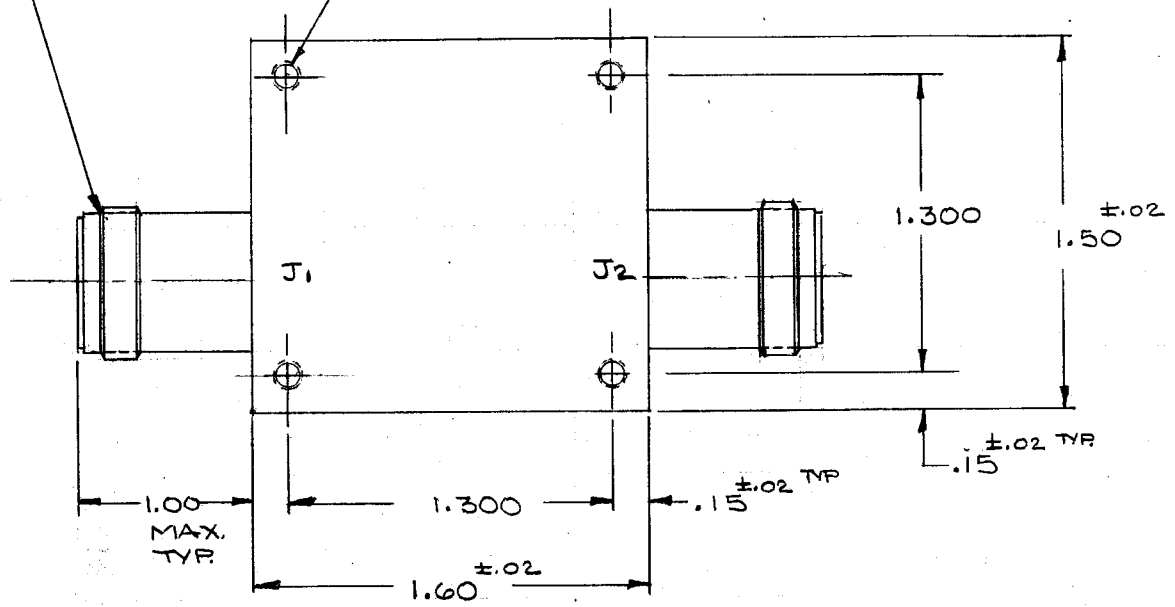


| ZONE | LTR | ECN NO. | DESCRIPTION | DATE | APPROVED |
|------|-----|---------|-------------|------|----------|
| | | | | | |

TYPE-N-CONNECTOR
FEMALE
BOTH ENDS

4-40UNC-2B THRU.
(4) PLACE



| | | | | | | |
|---|---------|--------------------|----------------|---|----------|-----|
| UNLESS OTHERWISE SPECIFIED: DIMENSIONS ARE IN INCHES. AND INCLUDE FINISH: TOLERANCES ARE: FRACTIONS ± 1/64 DECIMALS .XX ± 01 .XXX ± .005 ANGLES ± 0°15' SURFACE FINISH 63 CONCENTRICITY .004 TIR | | SIGNED | DATE | MICROWAVE COMPANY, INC. 22 PARK PLACE, P.O. BOX 273 BUTLER, NEW JERSEY 07405 201-482-1207 FSCM 61453 | | |
| DRAWN | | <i>[Signature]</i> | <i>2/14/68</i> | | | |
| CHECKED | | | | | | |
| E.E. APPD | | | | | | |
| M.E. APPD | | | | | | |
| G.A. APPD | | | | | | |
| JOB NO. | | TITLE | | FILTER COAXIAL BANDPASS | | |
| NEXT ASSY | USED ON | SCALE | SIZE | CODE IDENT. NO. | DWG. NO. | REV |
| | | | B | 61453 | 4044001 | |
| | | | | | | |
| | | | | | | |