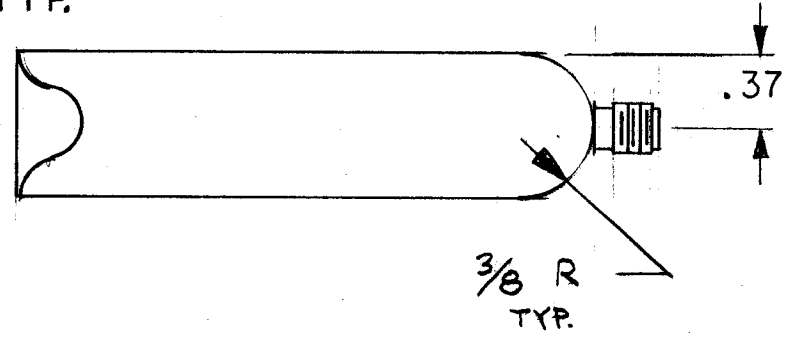
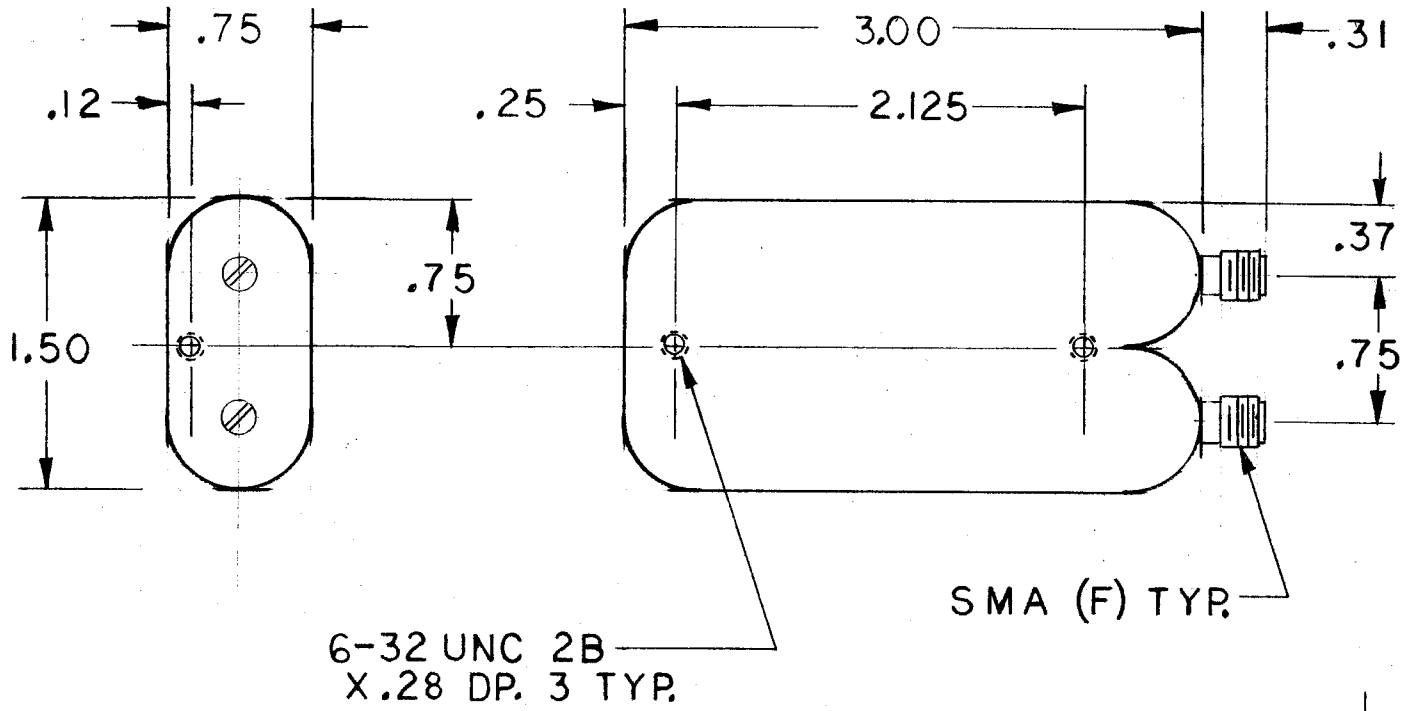


NEXT ASSY.		REV.	DATE	A	6-23-93				
USED ON		ECN NO.	3108001-001						




Center Frequency: 275 MHz
 -3dB Points: 130 \pm 15 MHz
 480 \pm 20 MHz
 Max. Loss @ 275 MHz: 0.5 db
 Max. VSWR 1.5 from: 149 MHz to 400 MHz
 Min. Rejection - 60 db: 2-30 MHz
 950-1600 MHz
 Impedance: 50 ohm
 Op. Temperature: -28° C to + 85° C
 Non-op. Temp.: -62° C to + 85° C
 Other Environmental: Per MIL-STD-18327
 Electrically Identical to NSN 5915-01-062-4494

UNLESS OTHERWISE SPECIFIED:
 DIMENSIONS ARE IN INCHES.
 AND INCLUDE FINISH:
 TOLERANCES ARE:
 FRACTIONS \pm 1/64
 DECIMALS .XX \pm .015 .XXX \pm .005
 ANGLES \pm 0°15' SURFACE FINISH 63
 CONCENTRICITY .004 TIR

PROPRIETARY DOCUMENT
 THIS DRAWING AND/OR INFORMATION
 OR SUBJECT MATTER CONTAINED
 HEREIN, SHALL NOT BE USED, COPIED
 OR DISSEMINATED IN ANY MANNER, OR
 FOR ANY PURPOSE, OTHER THAN AS
 EXPRESSLY STATED BY
 RS MICROWAVE COMPANY INC.

	SIGNED	DATE
DRAWN	<i>CSB</i>	4/18/83
CHECKED	<i>[Signature]</i>	4/23/83
E.E. APP'D	<i>[Signature]</i>	
M.E. APP'D	<i>[Signature]</i>	4/27/83
Q.A. APP'D		
JOB NO.		



MICROWAVE COMPANY, INC.
 22 PARK PLACE, P.O. BOX 273 BUTLER, NEW JERSEY 07405
 201-492-1207 FSCM 7U618

TITLE: **BANDPASS FILTER**

SIZE	CODE IDENT. NO.	DWG. NO.	REV.
A	7U618	3108001	A

SCALE: \times SHEET OF