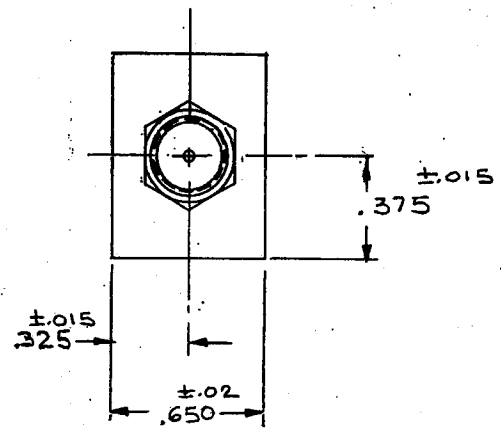


REVISIONS					
ZONE	LTR	ECN NO.	DESCRIPTION	DATE	APPROVED



FINISH: MICROWAVE SILVER & GRAY EPOXY PAINT

UNLESS OTHERWISE SPECIFIED: DIMENSIONS ARE IN INCHES. AND INCLUDE FINISH: TOLERANCES ARE: FRACTIONS ± 1/64 DECIMALS .XX ± .01 .XXX ± .005 ANGLES ± 0°15' SURFACE FINISH: F3 CONCENTRICITY .004 TIR		SIGNED	DATE	RS MICROWAVE COMPANY, INC. 22 PARK PLACE, P.O. BOX 273 BUTLER, NEW JERSEY 07405 201-492-1207 FSCM 61453
PROPRIETARY DOCUMENT THIS DRAWING AND/OR INFORMATION OR SUBJECT MATTER CONTAINED HEREIN, SHALL NOT BE USED, COPIED OR DISSEMINATED IN ANY MANNER, OR FOR ANY PURPOSE OTHER THAN AS EXPRESSLY STATED BY RS MICROWAVE COMPANY INC		DRAWN: <i>WLB</i> CHECKED: <i>EJG</i> M.E. APP'D: <i>EJG</i> O.A. APP'D: JOB NO:	6/28/91 6/28/91	
SIZE	CODE IDENT NO	DWG NO	REV	
B	61453	20391-(-1-2-3)		